



PORTABLE UV-C LIGHT

18W / 36W

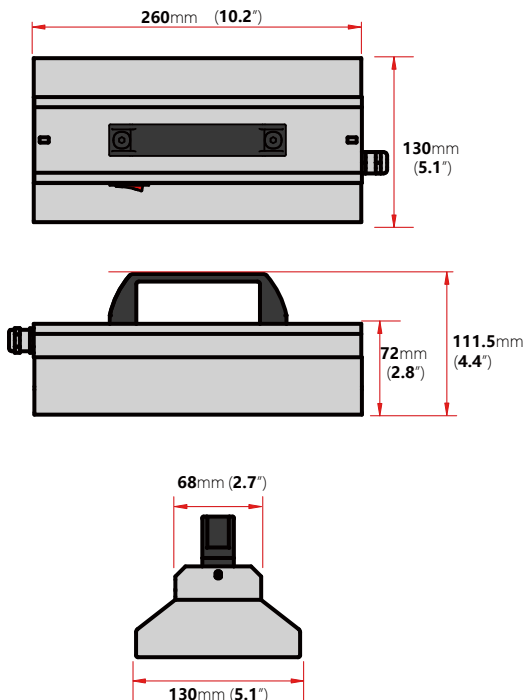
APPLICATIONS

- Hospital
- School
- Apartment
- Office
- Fitness room
- Restaurant
- Shopping Mall
- GYM

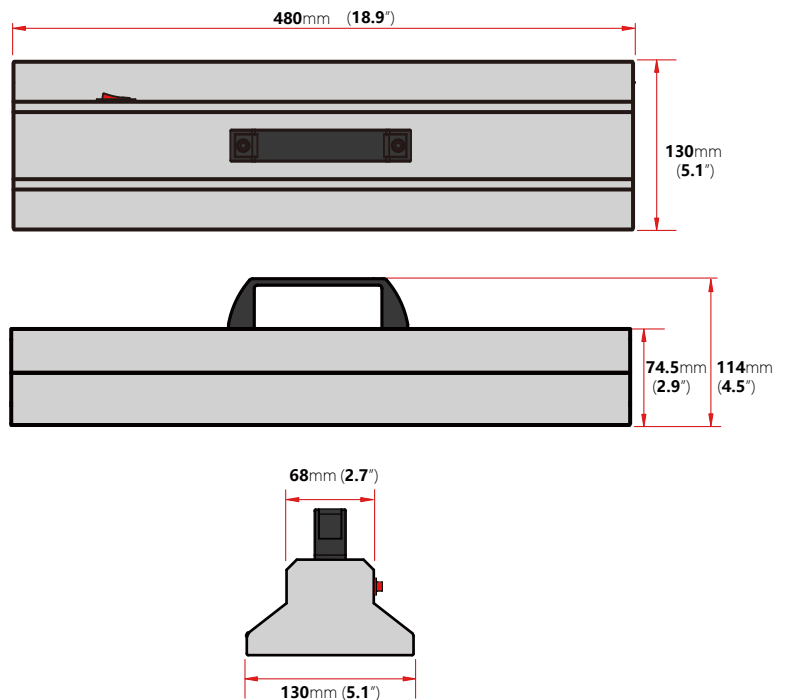


DIMENSIONS

18W



36W





SPECIFICATIONS

Model Number	ST-UVC-18W-Portable	ST-UVC-36W-Portable
Watts	18W	36W
Lamp Source	254nm UV-C flourescent lamp (Philips / Osram)	
Lamp Qty	1 lamp	
Dimensions	10.2"-L x 5.1"-W x 4.4"-H 260mm-L x 130mm-W x 111.5mm-H	18.9"-L x 5.1"-W x 4.5"-H 480mm-L x 130mm-W x 114mm-H
Voltage	110-120V AC, 50/60Hz / 220-240V AC, 50/60Hz	
Single-lamp Watts	18W	36W
Total UV Watts	18W	36W
Total UV Irradiance	55 $\mu\text{W}/\text{cm}^2$ @ 1Meter	110 $\mu\text{W}/\text{cm}^2$ @ 1Meter
Single-lamp UV Output	5.5W	12W
Total UV Output	11W	12W
Lamp Lifespan	8,000hours	
Ballast	Electronic, PF>0.9	
Amps:	0.08A (230V) / 0.16A (110V)	0.16A (230V) / 0.33A (110V)
Ambient Operating Temp	26.7 C / 80°F	
Materials	304 Stainless Steel (Standard) / Galvanized Metal (Optional)	
Mounting	Portable	

Features

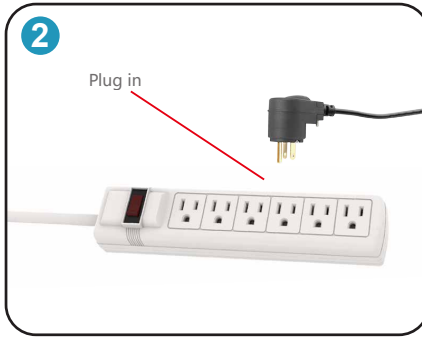
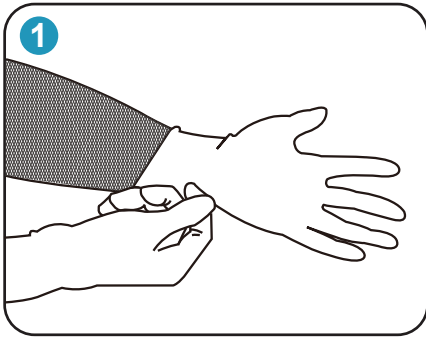
Short-wave Light
 Ozone & Chemical Free
 EPA Est. No. 97623-CHN-1

PLEASE NOTE: UVC light is harmful for eyes and skin which can cause temporary or permanent loss of vision and temporary acute redness or ulceration. UVC LIGHT MUST BE invisible during operation, DO NOT operate the UVC light equipment in any application non-isolated. NEVER LOOK DIRECTLY AT THE UVC LIGHT OR SANITIZATION TARGET AREA. DO NOT TOUCH THE LAMPS WITH BARE HANDS. WARNING SIGN MUST SET UP DURING OPERATION.

Customized Services Available

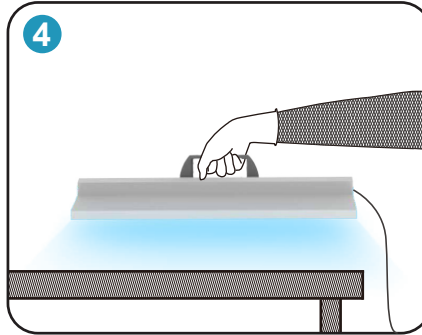
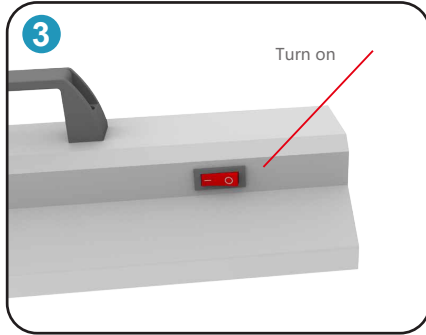
Battery Optional

OPERATE GUIDE



Step 1
Put on the gloves.

Step 2
Install the UV-C lamp, then plug in.



Step 3
Turn on the Switch.

Step 4
Scan on the top of the surface for any target sanitization area.

PACKAGE CONTENTS



Portable UVC Light